

# TOTTENVILLE

1127-AGB

Pairing minimalist metalwork with matte cloud glass, Tottenville is a highly versatile sconce for a powder room or bath area. The glass shades feature a unique triangular profile that gives this fixture both slimness and its distinctly modern feel. Choose from a single or dual light sconce with an Aged Brass or Polished Nickel finish.

## FINISHES

AGED BRASS

## DIMENSIONS

Height: 66"  
Width/Diameter: 66"  
Length: 66"  
Minimum Height: 66"  
Maximum Height: 66"  
Canopy/Backplate: 4.25"  
Hanging Type: 108" Premium Composite Cord  
Product Weight: 66lb  
Extension: 66"  
Top to Center: 66"  
Canopy/Backplate Shape: Rectangle  
Sloped Ceiling Compatible: No  
Living Finish: Yes  
Uplight Only: Yes

## Shade

Shade 1: Glass  
Shade 1 Finish: Matte Cloud  
Shade 1 Top Length: 3"  
Shade 1 Top Width: 2.75"  
Shade 1 Height: 12"



## ELECTRICAL

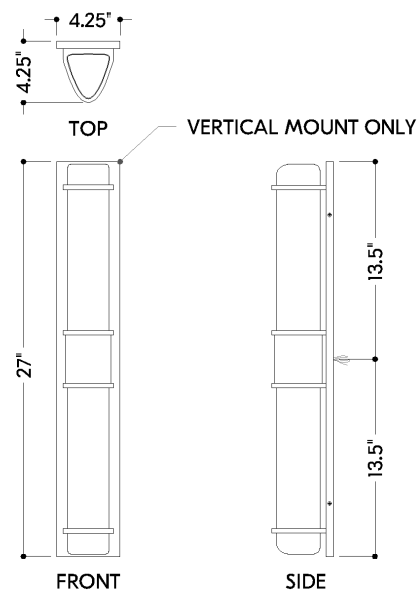


## Bulb 1

Bulb Included: No  
Socket: E26 Medium Base  
Bulb Type: T10-9  
Max Wattage: 15  
Bulb Quantity: 2  
Wire Length: 500mm  
Cord Type: ! New Cord Type  
Dimmer Type: Incandescent  
Switch Type: ON/OFF STOMP SWITCH  
Gem Box Required (2"x3"): Yes  
Dark Sky: Yes  
CRI: 66  
Color Temp.: 66k  
Lumens: 66  
Title 24: Yes  
Field Serviceable: No

## Battery

Battery Powered: Yes  
Battery Included: Yes  
Battery Life: ! New Battery Life !



# TOTTENVILLE

1127-AGB

---

## SHIPPING

---

Carton 1: 34" x 26" x 10"

Carton 1 Weight: 15lb

Shipping Method: Ground

Country of Origin: CN