

SPRINGHILL

1456-GL

Marrying organic aesthetics with contemporary design, the raffia panels of Springhill envelop the warm, inviting light within. Curled like leaves around the light source, the tapered shade celebrates the time-honored craft and tactile qualities of the woven raffia. Suspended from a minimalist Gold Leaf chain, Springhill is a sophisticated and fresh accent pendant. Available in two sizes.

*Due to the one-of-a-kind nature of the medium, exact colors and patterns may vary slightly from the image shown.

FINISHES

GOLD LEAF

DIMENSIONS

Height: 66"
Width/Diameter: 66"
Length: 66"
Minimum Height: 66"
Maximum Height: 66"
Canopy/Backplate: 6.25"
Hanging Type: 108" Premium Composite Cord
Product Weight: 66lb
Extension: 66"
Top to Center: 66"
Canopy/Backplate Shape: Round
Sloped Ceiling Compatible: No
Living Finish: Yes
Uplight Only: Yes

Shade

Shade 1: Saguran Weave
Shade 1 Top Width: 11.5"
Shade 1 Bottom L/W: 0" / 7"
Shade 1 Height: 29.75"

ELECTRICAL

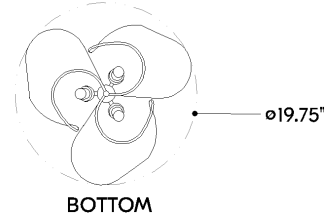
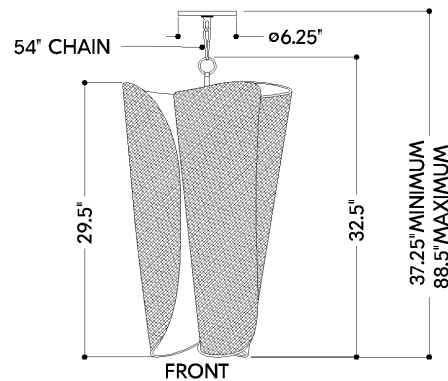


Bulb 1

Bulb Included: No
Socket: E26 Medium Base
Bulb Type: T10-5.5
Max Wattage: 15
Bulb Quantity: 6
Wire Length: 500mm
Cord Type: ! New Cord Type
Dimmer Type: Incandescent
Switch Type: ON/OFF STOMP SWITCH
Gem Box Required (2"x3"): Yes
Dark Sky: Yes
CRI: 66
Color Temp.: 66k
Lumens: 66
Title 24: Yes
Field Serviceable: No

Battery

Battery Powered: Yes
Battery Included: Yes
Battery Life: ! New Battery Life !



SPRINGHILL

1456-GL

SHIPPING

Carton 1: 37" x 24" x 24"

Carton 1 Weight: 25lb

Shipping Method: Ground

Country of Origin: PH