

VERBANK

1614-VGL

A delicate Vintage Gold Leaf cage, gracefully swirling cloud glass orb and intricate suspension chains converge to create this mesmerizing pendant light. Exhibiting a jewelry-like appearance, Verbank is enhanced by its subtle details, including circular ornaments on the chains and Art Deco-inspired curves. Like a planetary body glowing in the sky, this is a truly magical lighting experience.

FINISHES

VINTAGE GOLD LEAF

DIMENSIONS

Height: 66"
Width/Diameter: 66"
Length: 66"
Minimum Height: 66"
Maximum Height: 66"
Canopy/Backplate: 7"
Hanging Type: 108" Premium Composite Cord
Product Weight: 66lb
Extension: 66"
Top to Center: 66"
Canopy/Backplate Shape: Round
Sloped Ceiling Compatible: No
Living Finish: Yes
Uplight Only: Yes

Shade

Shade 1: Glass
Shade 1 Finish: Cloud Etched
Shade 1 Top Width: 10"

ELECTRICAL

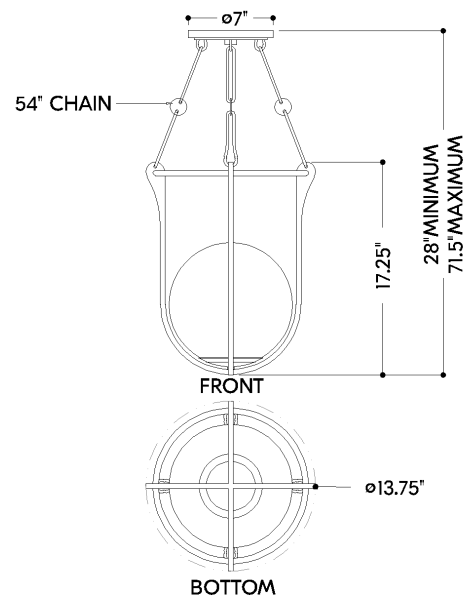


Bulb 1

Bulb Included: No
Socket: E26 Medium Base
Bulb Type: G25
Max Wattage: 15
Bulb Quantity: 1
Wire Length: 500mm
Cord Type: ! New Cord Type
Dimmer Type: Incandescent
Switch Type: ON/OFF STOMP SWITCH
Gem Box Required (2"x3"): Yes
Dark Sky: Yes
CRI: 66
Color Temp.: 66k
Lumens: 66
Title 24: Yes
Field Serviceable: No

Battery

Battery Powered: Yes
Battery Included: Yes
Battery Life: ! New Battery Life !



VERBANK

1614-VGL

SHIPPING

Carton 1: 33" x 17" x 17"

Carton 1 Weight: 20lb

Shipping Method: Ground

Country of Origin: PH