

POTTERSVILLE

1914-DB/CIC

Taking cues from mid-century fixtures, the forms of the Pottersville family are kept intentionally simple to serve as canvases for the dynamic glaze techniques of highly skilled Vietnamese potters. The graphic yet subdued glazes impart a highly artisanal feel, bringing artistry into a kitchen, hallway, or bedroom. Pottersville is available as a pendant in two sizes and a 1-light wall sconce.

*Due to the one-of-a-kind nature of the medium, exact colors and patterns may vary slightly from the image shown.

FINISHES

DISTRESSED BRONZE w/ CERAMIC IVORY
CRACKLE

DIMENSIONS

Height: 66"
Width/Diameter: 66"
Length: 66"
Minimum Height: 66"
Maximum Height: 66"
Canopy/Backplate: 4.75"
Hanging Type: 108" Premium Composite Cord
Product Weight: 66lb
Extension: 66"
Top to Center: 66"
Canopy/Backplate Shape: Round
Sloped Ceiling Compatible: No
Living Finish: Yes
Uplight Only: Yes

Shade

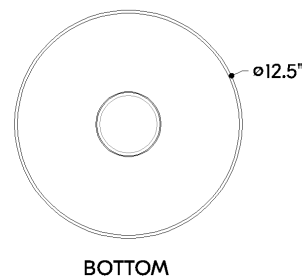
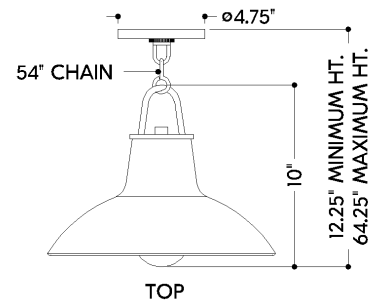
Shade 1: Ceramic
Shade 1 Top Width: 3.25"
Shade 1 Bottom L/W: 0" / 12.5"
Shade 1 Height: 6.5"

ELECTRICAL



Bulb 1

Bulb Included: No
Socket: E26 Medium Base
Bulb Type: G25
Max Wattage: 15
Bulb Quantity: 1
Wire Length: 500mm
Cord Type: ! New Cord Type
Dimmer Type: Incandescent
Switch Type: ON/OFF STOMP SWITCH
Gem Box Required (2"x3"): Yes
Dark Sky: Yes
CRI: 66
Color Temp.: 66k
Lumens: 66
Title 24: Yes
Field Serviceable: No



POTTERSVILLE

1914-DB/CIC

Battery

Battery Powered: Yes

Battery Included: Yes

Battery Life: ! New Battery Life !

SHIPPING

Carton 1: 16" x 16" x 11"

Carton 1 Weight: 18lb

Shipping Method: Ground

Country of Origin: VN