

# OTSEGO

2402-AGB

An ode to the gentle curves of the Art Nouveau period, Otsego features two large opal glossy bulbs in an hourglass formation. This double wall light produces an atmospheric glow, bringing a welcoming ambiance to any space. Choose from two finishes: Aged Brass for a vintage feel, or Polished Nickel for a sleek, modern style.

## FINISHES

AGED BRASS

## DIMENSIONS

Height: 66"  
Width/Diameter: 66"  
Length: 66"  
Minimum Height: 66"  
Maximum Height: 66"  
Canopy/Backplate: 4.75"  
Hanging Type: 108" Premium Composite Cord  
Product Weight: 66lb  
Extension: 66"  
Top to Center: 66"  
Canopy/Backplate Shape: Round  
Sloped Ceiling Compatible: No  
Living Finish: Yes  
Uplight Only: Yes

## Shade

Shade 1: Glass  
Shade 1 Finish: Opal Shiny  
Shade 1 Top Width: 7.5"  
Shade 1 Height: 5.75"

## ELECTRICAL

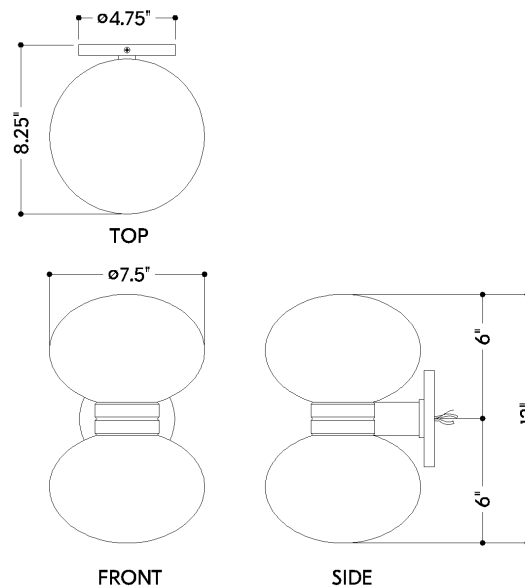


### Bulb 1

Bulb Included: No  
Socket: E12 Candelabra Base  
Bulb Type: G16.5  
Max Wattage: 8  
Bulb Quantity: 2  
Wire Length: 500mm  
Cord Type: ! New Cord Type  
Dimmer Type: Incandescent  
Switch Type: ON/OFF STOMP SWITCH  
Gem Box Required (2"x3"): Yes  
Dark Sky: Yes  
CRI: 66  
Color Temp.: 66k  
Lumens: 66  
Title 24: Yes  
Field Serviceable: No

### Battery

Battery Powered: Yes  
Battery Included: Yes  
Battery Life: ! New Battery Life !



# OTSEGO

2402-AGB

---

## SHIPPING

---

Carton 1: 21" x 12" x 11"  
Carton 1 Weight: 6lb  
Shipping Method: Ground  
Country of Origin: CN