

OTSEGO

2402-PN

An ode to the gentle curves of the Art Nouveau period, Otsego features two large opal glossy bulbs in an hourglass formation. This double wall light produces an atmospheric glow, bringing a welcoming ambiance to any space. Choose from two finishes: Aged Brass for a vintage feel, or Polished Nickel for a sleek, modern style.

FINISHES

POLISHED NICKEL

DIMENSIONS

Height: 66"
Width/Diameter: 66"
Length: 66"
Minimum Height: 66"
Maximum Height: 66"
Canopy/Backplate: 4.75"
Hanging Type: 108" Premium Composite Cord
Product Weight: 66lb
Extension: 66"
Top to Center: 66"
Canopy/Backplate Shape: Round
Sloped Ceiling Compatible: No
Living Finish: Yes
Uplight Only: Yes

Shade

Shade 1: Glass
Shade 1 Finish: Opal Shiny
Shade 1 Top Width: 7.5"
Shade 1 Height: 5.75"

ELECTRICAL

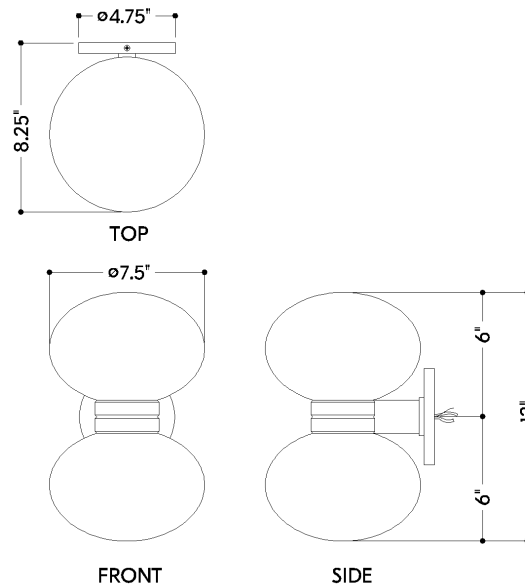


Bulb 1

Bulb Included: No
Socket: E12 Candelabra Base
Bulb Type: G16.5
Max Wattage: 8
Bulb Quantity: 2
Wire Length: 500mm
Cord Type: ! New Cord Type
Dimmer Type: Incandescent
Switch Type: ON/OFF STOMP SWITCH
Gem Box Required (2"x3"): Yes
Dark Sky: Yes
CRI: 66
Color Temp.: 66k
Lumens: 66
Title 24: Yes
Field Serviceable: No

Battery

Battery Powered: Yes
Battery Included: Yes
Battery Life: ! New Battery Life !



OTSEGO

2402-PN

SHIPPING

Carton 1: 21" x 12" x 11"

Carton 1 Weight: 6lb

Shipping Method: Ground

Country of Origin: CN