

# GLEN OAKS

3726-VPT

A minimalist silhouette is elevated by mechanical metalwork in Glen Oaks. This narrow sconce features two cylinders of seedy opal glass attached to a slim rectangular backplate. Adding a clean-lined detail, the two socket cups are connected with slender metal straps. Whether in the Aged Brass or Vintage Pewter finish, Glen Oaks brings elegant simplicity to a bath area.

## FINISHES

VINTAGE PEWTER

## DIMENSIONS

Height: 66"  
Width/Diameter: 66"  
Length: 66"  
Minimum Height: 66"  
Maximum Height: 66"  
Canopy/Backplate: 4.25"  
Hanging Type: 108" Premium Composite Cord  
Product Weight: 66lb  
Extension: 66"  
Top to Center: 66"  
Canopy/Backplate Shape: Rectangle  
Sloped Ceiling Compatible: No  
Living Finish: Yes  
Uplight Only: Yes

## Shade

Shade 1: Glass  
Shade 1 Finish: Opal Seedy  
Shade 1 Top Width: 2.25"  
Shade 1 Height: 10.5"

## ELECTRICAL

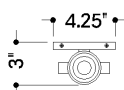


### Bulb 1

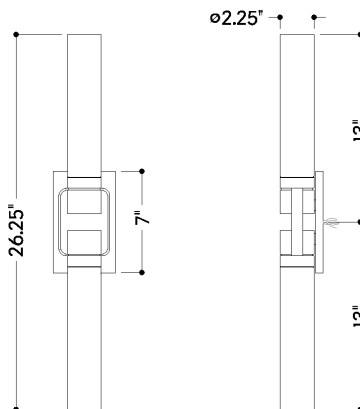
Bulb Included: No  
Socket: E26 Medium Base  
Bulb Type: T10-9  
Max Wattage: 15  
Bulb Quantity: 2  
Wire Length: 500mm  
Cord Type: ! New Cord Type  
Dimmer Type: Incandescent  
Switch Type: ON/OFF STOMP SWITCH  
Gem Box Required (2"x3"): Yes  
Dark Sky: Yes  
CRI: 66  
Color Temp.: 66k  
Lumens: 66  
Title 24: Yes  
Field Serviceable: No

### Battery

Battery Powered: Yes  
Battery Included: Yes  
Battery Life: ! New Battery Life !



TOP



FRONT

SIDE

# GLEN OAKS

3726-VPT

---

## SHIPPING

---

Carton 1: 15" x 15" x 8"

Carton 1 Weight: 6lb

Shipping Method: Ground

Country of Origin: CN