

# LARIAT

463-02-VB

Recalling Roman antiquities, the Lariat family strikes a balance between clean, straight lines and the fluidity of swooping jewelry chains. The unique, custom-inspired design features a series of tubular alabaster shades with elegant drapery and intricately knurled metalwork. The natural alabaster glows beautifully when illuminated. Lariat is available as a 2-light linear fixture or a 4-light chandelier with a Vintage Brass finish. Part of our Noz Nozawa collection.

\*Due to the one-of-a-kind nature of the medium, exact colors and patterns may vary slightly from the image shown.

## FINISHES

### VINTAGE BRASS

## DIMENSIONS

Height: 16.25"  
Width/Diameter: 7.75"  
Length: 48.75"  
Minimum Height: 31"  
Maximum Height: 65.75"  
Canopy/Backplate: 7.75"  
Hanging Type: 1-6" / 2-12" / 1-18" Stems  
Product Weight: 26.48lb  
Canopy/Backplate Shape: Round  
Sloped Ceiling Compatible: No  
Living Finish: Yes  
Uplight Only: No

## Shade

Shade 1: Alabaster  
Shade 1 Top Length: 19.75"  
Shade 1 Top Width: 2.25"  
Shade 2: Acrylic  
Shade 2 Finish: Opal Shiny  
Shade 2 Top Length: 19.75"  
Shade 2 Top Width: 1"

## ELECTRICAL

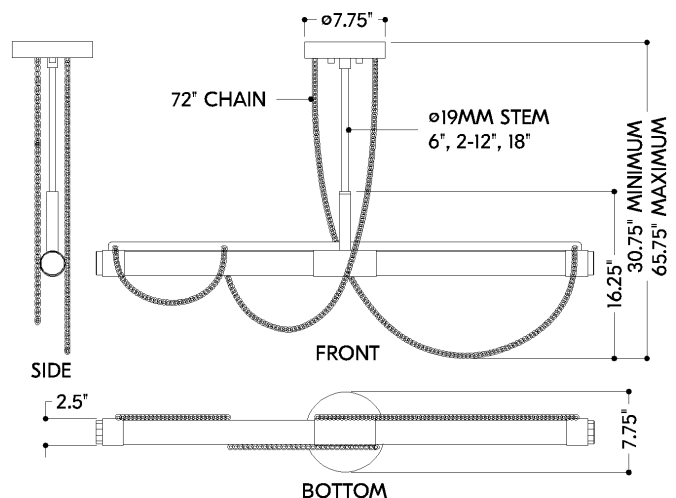


### Bulb 1

Bulb Included: N/A  
Socket: Integrated LED  
Max Wattage: 29  
Bulb Quantity: 2  
Cord Type: B & W TEFLON W/ GROUND WIRE  
Dimmer Type: ELV, TRIAC, 0-10 VOLT  
Gem Box Required (2"x3"): No  
Dark Sky: No  
CRI: 90  
Color Temp.: 2700k  
Lumens: 1050  
Title 24: No  
Field Serviceable: No

## SHIPPING

Carton 1: 57" x 18" x 7"  
Carton 1 Weight: 31lb  
Shipping Method: Ground  
Country of Origin: CN



# LARIAT

463-02-VB

---