

ANGUS

487-16-VB

The clean lines, delicate chains, and statement drop shade of Angus offer a contemporary take on a lantern silhouette. The Mica glass shade is characterized by unique bubbles that give the surface a watery appearance. A Vintage Brass band with nodules anchors the fixture with an antique look. Available with 3 or 4 lights.

FINISHES

VINTAGE BRASS

DIMENSIONS / SPECS

Height: 33"
Width/Diameter: 16.25"
Minimum Height: 36.5"
Maximum Height: 106"
Canopy/Backplate: 5.5"
Hanging Type: 72" Chain
Product Weight: 7.48lb
Canopy/Backplate Shape: Round
Sloped Ceiling Compatible: No
Living Finish: Yes
Uplight Only: Yes

Shade 1: Glass
Shade 1 Finish: Mica
Shade 1 Top Width: 14.75"
Shade 1 Height: 19"

ELECTRICAL



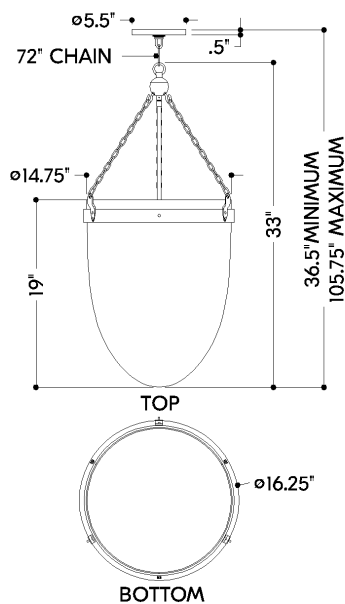
Bulb 1

Bulb Included: No
Socket: E12 Candelabra Base
Bulb Type: G16.5
Max Wattage: 10
Bulb Quantity: 4
Recommended Bulb: BLB-G16.5-MW-LED
Cord Type: SPT-1 SILVER W/ TINNED GROUND WIRE

Gem Box Required (2"x3"): No
Dark Sky: No

SHIPPING

Carton 1: 41" x 21" x 21"
Carton 1 Weight: 25lb
Shipping Method: Ground
Country of Origin: CN



HUDSON VALLEY
LIGHTING GROUP