

ELM PARK

6418-AGB/DB

A fresh take on a lighting essential, Elm Park blends innovation and sophistication with its discreet 2-light composition. This picture light features clean lines and machine-knurled details with a choice of an Aged Brass or Distressed Bronze and Aged Brass finish. Choose from two sizes of Elm Park to suit your needs.

FINISHES

AGED BRASS w/ DISTRESSED BRONZE

DIMENSIONS / SPECS

Height: 3"

Width/Diameter: 18"

Canopy/Backplate: 6.25"

Product Weight: 5.5lb

Extension: 7.5"

Top to Center: 1.5"

Canopy/Backplate Shape: Rectangle

Sloped Ceiling Compatible: No

Living Finish: Yes

Uplight Only: No

ELECTRICAL



Bulb 1

Bulb Included: No

Socket: E26 Medium Base

Bulb Type: T10-5.5

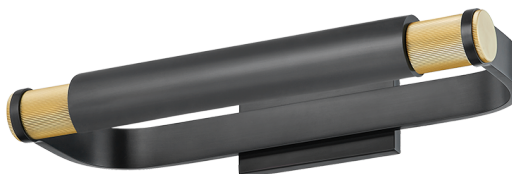
Max Wattage: 15

Bulb Quantity: 2

Cord Type: B & W TEFLON W/ GROUND WIRE

Gem Box Required (2"x3"): Yes

Dark Sky: No



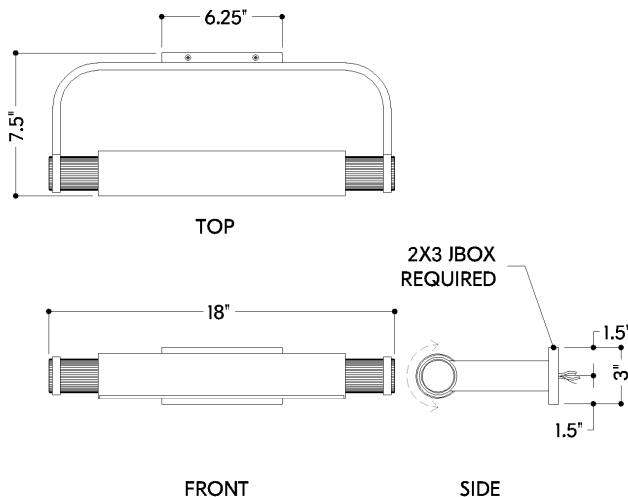
SHIPPING

Carton 1: 22" x 11" x 6"

Carton 1 Weight: 9lb

Shipping Method: Ground

Country of Origin: VN



HUDSON VALLEY
LIGHTING GROUP