

MELBOURNE

8524-AGB/DB

A contemporary take on a picture light, Melbourne is subtle and discreet. The design features a long LED bar supported by a sleek metal frame, ensuring optimal illumination with minimal visual distractions. Available in three sizes and two finishes; Aged Brass and Old Bronze.

FINISHES

AGED BRASS w/ DISTRESSED BRONZE

Coastal Suitable Finish (EPM): No

DIMENSIONS

Height: 2.75"

Width/Diameter: 23.75"

Canopy/Backplate: 13.5"

Product Weight: 3.86lb

Extension: 7.25"

Top to Center: 1.5"

Canopy/Backplate Shape: Rectangle

Sloped Ceiling Compatible: No

Living Finish: Yes

Uplight Only: No

Shade

Shade 1: Acrylic

Shade 1 Finish: White

Shade 1 Top Length: 23.5"

Shade 1 Top Width: 0.75"



ELECTRICAL



Bulb 1

Bulb Included: N/A

Socket: Integrated LED

Max Wattage: 8

Bulb Quantity: 1

Dimmer Type: TRIAC

Gem Box Required (2"x3"): Yes

Dark Sky: No

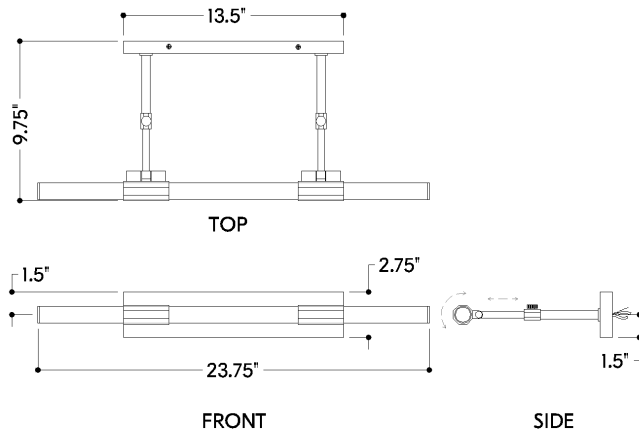
CRI: 90

Color Temp.: 2700k

Lumens: 225

Title 24: No

Field Serviceable: Yes



SHIPPING

Carton 1: 28" x 12" x 7"

Carton 1 Weight: 6lb

Shipping Method: Ground

Country of Origin: CN