

LONNIE

F1615-VGL

Tipping its cap to designer Hans-Agne Jakobsson, Lonnie rethinks the materiality of his classic umbrella-shaped shade. In this interpretation, the frame of the shade is wrapped in Bleached Abaca rope, allowing light to pass through. As a design detail, the Vintage Gold Leaf stem suspending the shade appears to pierce through the entire fixture, finishing in a decorative sphere. Lonnie is available in two sizes with 3 or 4 lights. *Due to the one-of-a-kind nature of the medium, exact colors and patterns may vary slightly from the image shown.

FINISHES

VINTAGE GOLD LEAF

Coastal Suitable Finish (EPM): No

DIMENSIONS

Height: 20"

Width/Diameter: 15.25"

Minimum Height: 23.75"

Maximum Height: 93.75"

Canopy/Backplate: 5"

Hanging Type: 72" Chain

Product Weight: 8.8lb

Canopy/Backplate Shape: Round

Sloped Ceiling Compatible: No

Living Finish: No

Uplight Only: No

Shade

Shade 1: Abaca

Shade 1 Finish: Bleached

Shade 1 Bottom L/W: 0" / 15.25"

Shade 1 Height: 11.5"

ELECTRICAL



Bulb 1

Bulb Included: No

Socket: E12 Candelabra Base

Bulb Type: B11

Max Wattage: 8

Bulb Quantity: 3

Bulb Included: No

Gem Box Required (2"x3"): No

Dark Sky: No

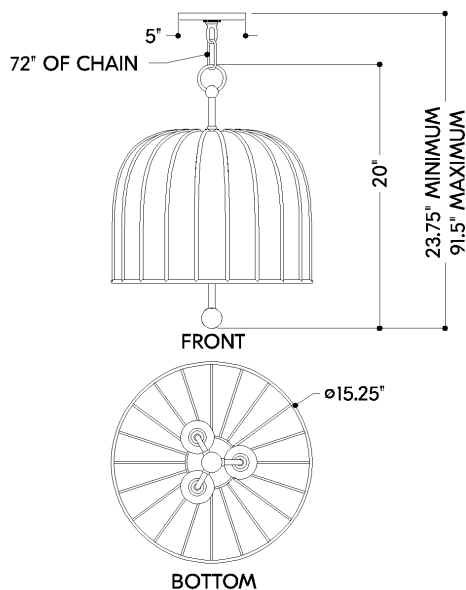
SHIPPING

Carton 1: 20" x 20" x 19"

Carton 1 Weight: 19lb

Shipping Method: Ground

Country of Origin: PH



HUDSON VALLEY
LIGHTING GROUP

| hvlgroup.com | 1.800.814.3993

REVISED 3.11.2022