

DAVIDA

H894701S-AGB

The Davida pendant takes a heritage silhouette and gives it an update with contemporary materiality. Woven from Natural Rattan, the shade and canopy bring an earthy, yet sophisticated feel to a space. The unique metalwork details are finished in a timeless Aged Brass finish. Part of our Zoe Feldman collection, Davida is available in two sizes.

*Due to the one-of-a-kind nature of the medium, exact colors and patterns may vary slightly from the image shown.

FINISHES

AGED BRASS

DIMENSIONS / SPECS

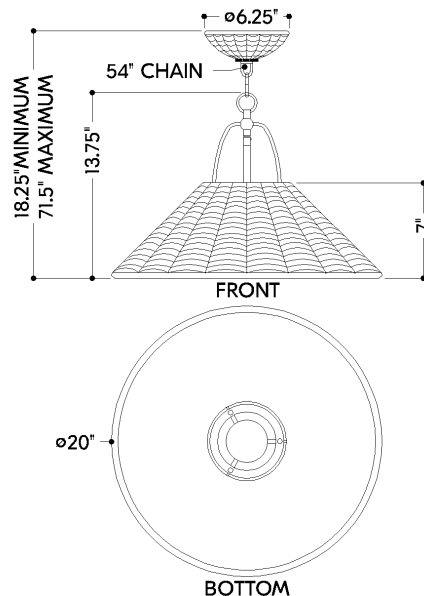
Height: 13.75"
Width/Diameter: 20"
Minimum Height: 18"
Maximum Height: 71"
Canopy/Backplate: 5"
Hanging Type: 54" Chain
Product Weight: 4.84lb
Canopy/Backplate Shape: Round
Sloped Ceiling Compatible: No
Living Finish: No
Uplight Only: No

Shade 1: Rattan
Shade 1 Top Width: 6.5"
Shade 1 Bottom L/W: 0" / 20"
Shade 1 Height: 7"

ELECTRICAL



Bulb 1
Bulb Included: No
Socket: E26 Medium Base
Bulb Type: G25
Max Wattage: 15
Bulb Quantity: 1
Gem Box Required (2"x3"): No
Dark Sky: No



HUDSON VALLEY
LIGHTING GROUP