

MONA

H908101-AGB

Simple yet elevated, the totemic silhouette of Mona makes a playful first impression. Stacked between a large opal shiny glass shade and tapered Aged Brass cuff is a striking Calacatta gold marble sphere. When viewed from the front, the Aged Brass back panel encircles the marble like a halo, completing the puzzle-like composition. Part of our Megan Molten x Mitzi Tastemakers collection.

*Due to the one-of-a-kind nature of the medium, exact colors and patterns may vary slightly from the image shown.

FINISHES

AGED BRASS

DIMENSIONS / SPECS

Height: 11.25"
Width/Diameter: 6"
Canopy/Backplate: 4.75"
Product Weight: 3.7lb
Extension: 6.75"
Top to Center: 8"
Canopy/Backplate Shape: Round
Sloped Ceiling Compatible: No
Living Finish: No
Uplight Only: No

Shade 1: Glass
Shade 1 Finish: Opal Shiny
Shade 1 Top Width: 6"
Shade 1 Bottom L/W: 0" / 2"
Shade 1 Height: 6.75"

ELECTRICAL



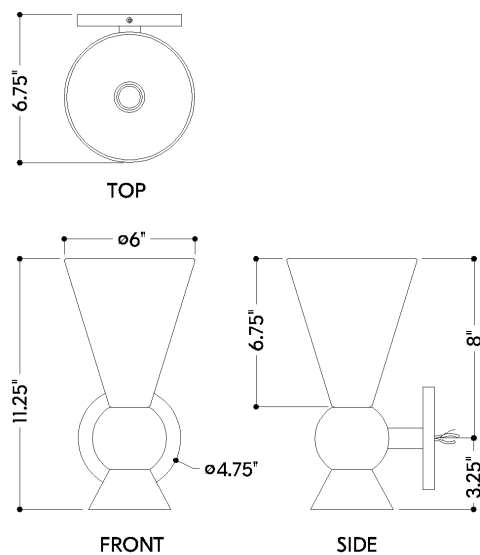
Bulb 1

Bulb Included: No
Socket: E12 Candelabra Base
Bulb Type: T8-3.5
Max Wattage: 8
Bulb Quantity: 1
Cord Type: B & W TEFLON W/ GROUND WIRE
Gem Box Required (2"x3"): No
Dark Sky: No



SHIPPING

Carton 1: 17" x 10" x 7"
Carton 1 Weight: 6lb
Shipping Method: Ground
Country of Origin: VN



HUDSON VALLEY
LIGHTING GROUP