

MAYLA

H919701L-AGB

Inspired by the movement of rippling water, the shapely silhouette of Mayla blends craftsmanship with a coastal touch. Light filters softly through the woven rattan wicker shade, which comes in two sizes. Suspended by an Aged Brass chain, this pendant makes for an eye-catching addition to living and dining rooms. Part of our Megan Molten x Mitzi Tastemakers collection.

*Due to the one-of-a-kind nature of the medium, exact colors and patterns may vary slightly from the image shown.

FINISHES

AGED BRASS

DIMENSIONS

Height: 27"
Width/Diameter: 21.25"
Minimum Height: 30.5"
Maximum Height: 79"
Canopy/Backplate: 5.5"
Hanging Type: 54" Chain
Product Weight: 7.7lb
Canopy/Backplate Shape: Round
Sloped Ceiling Compatible: No
Living Finish: No
Uplight Only: Yes

Shade

Shade 1: Natural Woven
Shade 1 Finish: Light Natural Wicker
Shade 1 Top Width: 6"
Shade 1 Bottom L/W: 0" / 21.25"
Shade 1 Height: 24.25"

ELECTRICAL

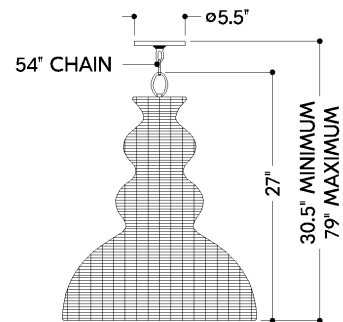


Bulb 1

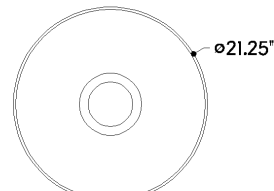
Bulb Included: No
Socket: E26 Medium Base
Bulb Type: G40
Max Wattage: 25
Bulb Quantity: 1
Cord Type: SPT-1 SILVER W/ TINNED GROUND WIRE
Gem Box Required (2"x3"): No
Dark Sky: No

SHIPPING

Carton 1: 30" x 22" x 22"
Carton 1 Weight: 15lb
Shipping Method: Ground
Country of Origin: VN



FRONT



BOTTOM