

# LAUDINE

H921701-AGB

The natural woven wicker of Laudine provides a refreshing twist on a classic RLM-style silhouette. Resembling an oversized straw hat, the shade embodies an air of laid-back luxury. Vintage-inspired suspension rods finished in Aged Brass contribute to the nostalgic charm of this reimagined pendant.

\*Due to the one-of-a-kind nature of the medium, exact colors and patterns may vary slightly from the image shown.

## FINISHES

AGED BRASS

## DIMENSIONS

Height: 22"

Width/Diameter: 24.5"

Minimum Height: 25.75"

Maximum Height: 65.5"

Canopy/Backplate: 5.5"

Hanging Type: 1-3" / 1-6" / 1-12" / 1-18" Stems

Product Weight: 8.8lb

Canopy/Backplate Shape: Round

Sloped Ceiling Compatible: No

Living Finish: No

Uplight Only: Yes

## Shade

Shade 1: Natural Woven

Shade 1 Finish: Vintage Natural Wicker

Shade 1 Top Width: 6.5"

Shade 1 Bottom L/W: 0" / 24.25"

Shade 1 Height: 6.5"

## ELECTRICAL



### Bulb 1

Bulb Included: No

Socket: E26 Medium Base

Bulb Type: G40

Max Wattage: 25

Bulb Quantity: 1

Cord Type: B & W TEFLON W/ GROUND WIRE

Gem Box Required (2"x3"): No

Dark Sky: No

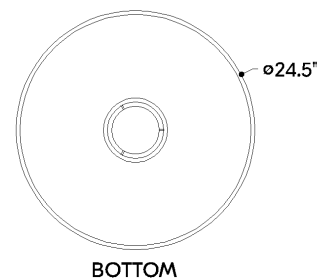
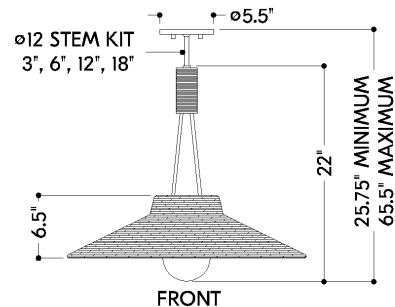
## SHIPPING

Carton 1: 26" x 26" x 10"

Carton 1 Weight: 14lb

Shipping Method: Ground

Country of Origin: VN



HUDSON VALLEY  
LIGHTING GROUP

| [hvlgroup.com](http://hvlgroup.com) | 1.800.814.3993