

MIELA

PTL1530-FOR/CBF

A totem-style design with rhythmic energy, Miela conceptually aligns with folk art aesthetics. Incised spheres reminiscent of carved wood are modeled from Black Motif Ceramic, resulting in a striking, polished appearance. Miela is further enhanced by an oversized pull chain and frame finished in Forged Iron. The off-white linen shade introduces a clean point of contrast. Part of our Loft and Thought collection.

*Due to the one-of-a-kind nature of the medium, exact colors and patterns may vary slightly from the image shown.

FINISHES

FORGED IRON

DIMENSIONS / SPECS

Height: 30"
Width/Diameter: 19"
Canopy/Backplate: 7.5"
Product Weight: 12.1lb
Canopy/Backplate Shape: Round
Sloped Ceiling Compatible: No
Living Finish: No
Uplight Only: No

Shade 1: Linen
Shade 1 Finish: Off White
Shade 1 Top Width: 5"
Shade 1 Bottom L/W: 0" / 19"
Shade 1 Height: 11.75"

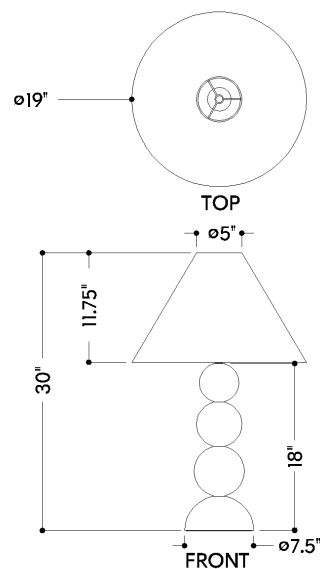
ELECTRICAL



Bulb 1
Bulb Included: No
Socket: E26 Medium Base
Bulb Type: A19
Max Wattage: 15
Bulb Quantity: 1
Cord Type: SPT-2 BLACK FABRIC
Switch Type: ON/OFF SWITCH ON SOCKET
Gem Box Required (2"x3"): No
Dark Sky: No

SHIPPING

Carton 1: 12" x 9" x 9"
Carton 1 Weight: 26lb
Shipping Method: Ground
Country of Origin: PH



HUDSON VALLEY
LIGHTING GROUP